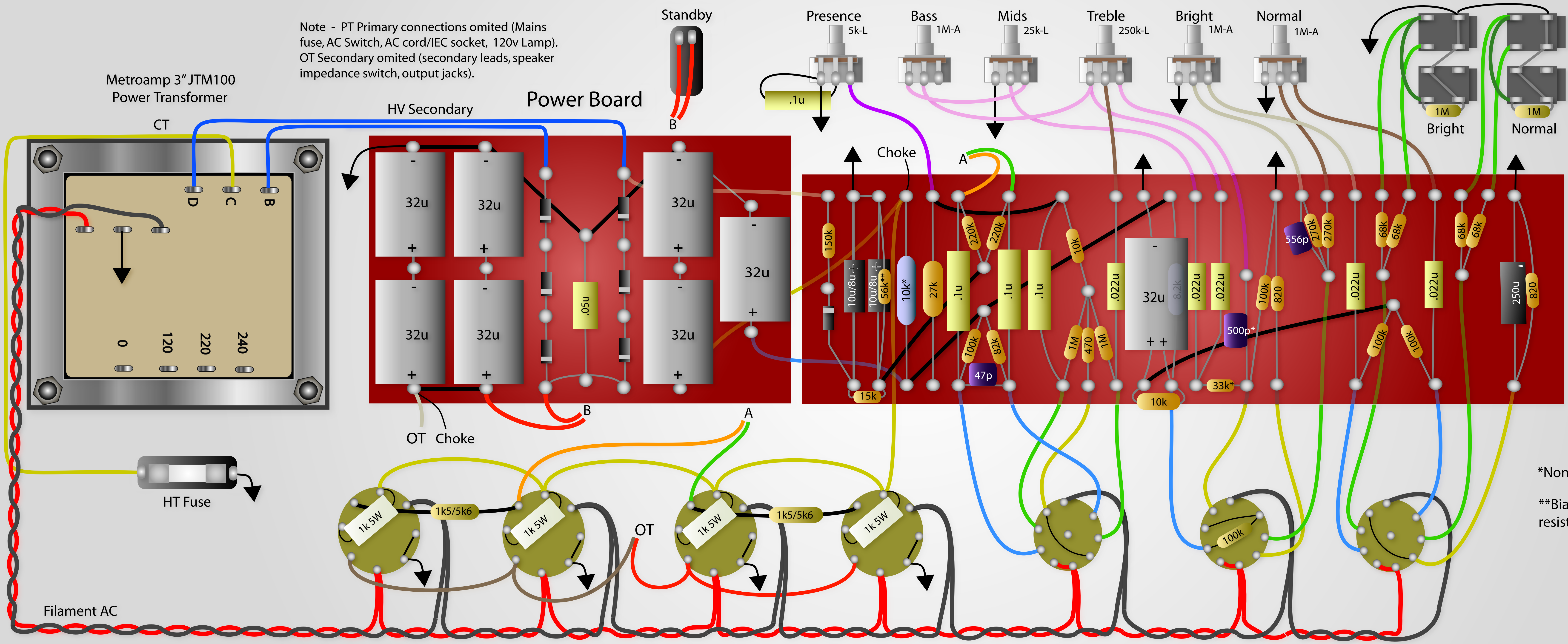


Note - PT Primary connections omitted (Mains fuse, AC Switch, AC cord/IEC socket, 120v Lamp).  
 OT Secondary omitted (secondary leads, speaker impedance switch, output jacks).



\*Non-original/replaced part  
 \*\*Bias Resistor is replaced by a variable resistance slider.